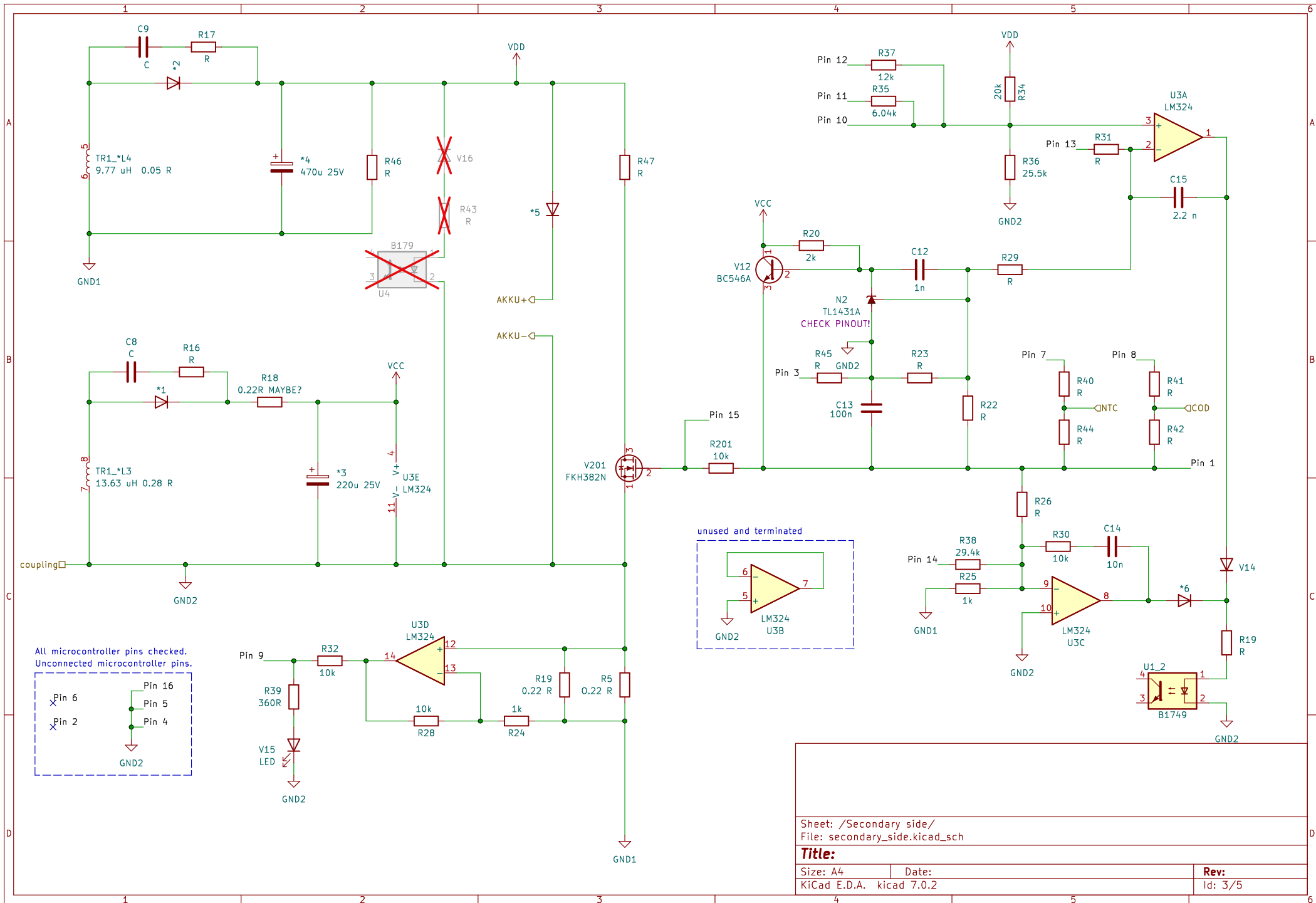


PCB1857 V1
 Component Names denoted * refer to my own naming scheme and not to the physical identifier on the board.

Sheet: /
 File: Dremel_PCB1857_V1.kicad_sch

Title:		Rev:
Size: A4	Date:	
KiCad E.D.A. kicad 7.0.2		Id: 1/5



Sheet: /Secondary side/
 File: secondary_side.kicad_sch

Title:

Size: A4
 KiCad E.D.A. kicad 7.0.2

Date:

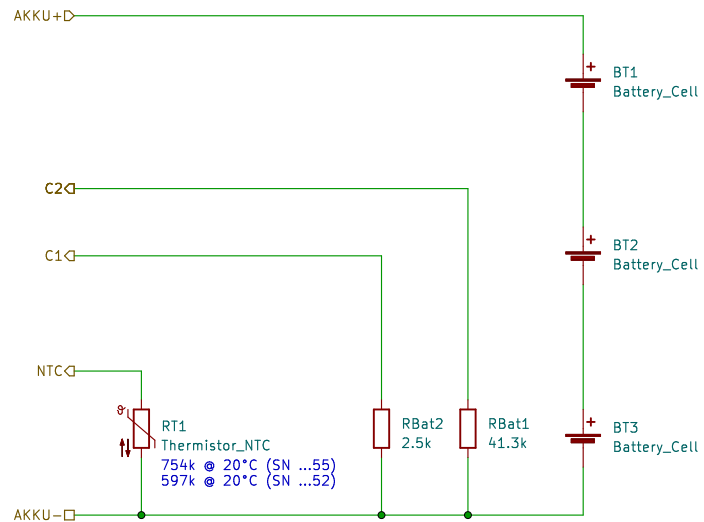
Rev:

Id: 3/5

This schematic has been derived by measuring the resistance and voltages between battery terminals. Two batteries have been examined.

Serial number: LM24 - 703173255
Date code: 03/2017

Serial number: LM24 - 703173252
Date code: 03/2017



Date code: 03/2017
Rated capacity: 30 Wh, 2.5 Ah
Rated voltage: 12 V

Robert Bosch Power Tools GmbH

Sheet: /Bosch 12 V 2.5 Ah Li-Ion/
File: battery.kicad_sch

Title:

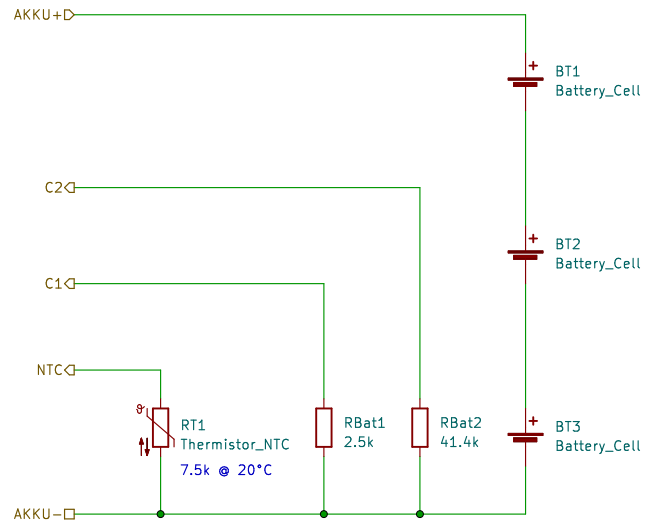
Size: A4 Date: 2023-09-22

KiCad E.D.A. kicad 7.0.2

Rev:
Id: 4/5

This schematic has been derived by measuring the resistance and voltages between battery terminals. One battery has been examined.

Serial number: TM22 - 801173318
Date code: 01/2018



Rated Capacity: 24 Wh, 2.0 Ah
Rated voltage: 12 V

Dremel

Sheet: /Dremel Lithium-Ion Battery Pack 880/
File: battery_dremel_880.kicad_sch

Title:

Size: A4 Date: 2023-09-22

KiCad E.D.A. kicad 7.0.2

Rev:
Id: 5/5