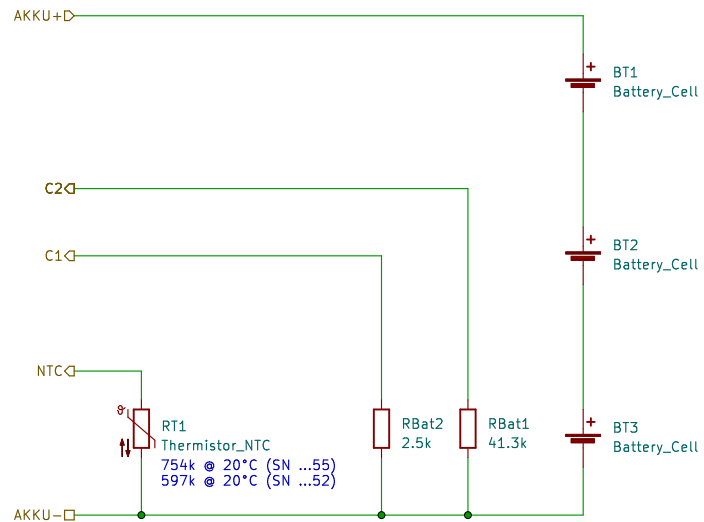


This schematic has been derived by measuring the resistance and voltages between battery terminals. Two batteries have been examined.

Serial number: LM24 - 703173255
Date code: 03/2017

Serial number: LM24 - 703173252
Date code: 03/2017



Date code: 03/2017
Rated capacity: 30 Wh, 2.5 Ah
Rated voltage: 12 V

Robert Bosch Power Tools GmbH

Sheet: /Bosch 12 V 2.5 Ah Li-Ion/
File: battery.kicad_sch

Title:

Size: A4 Date: 2023-09-22

KiCad E.D.A. kicad 7.0.2

Rev:
Id: 4/5